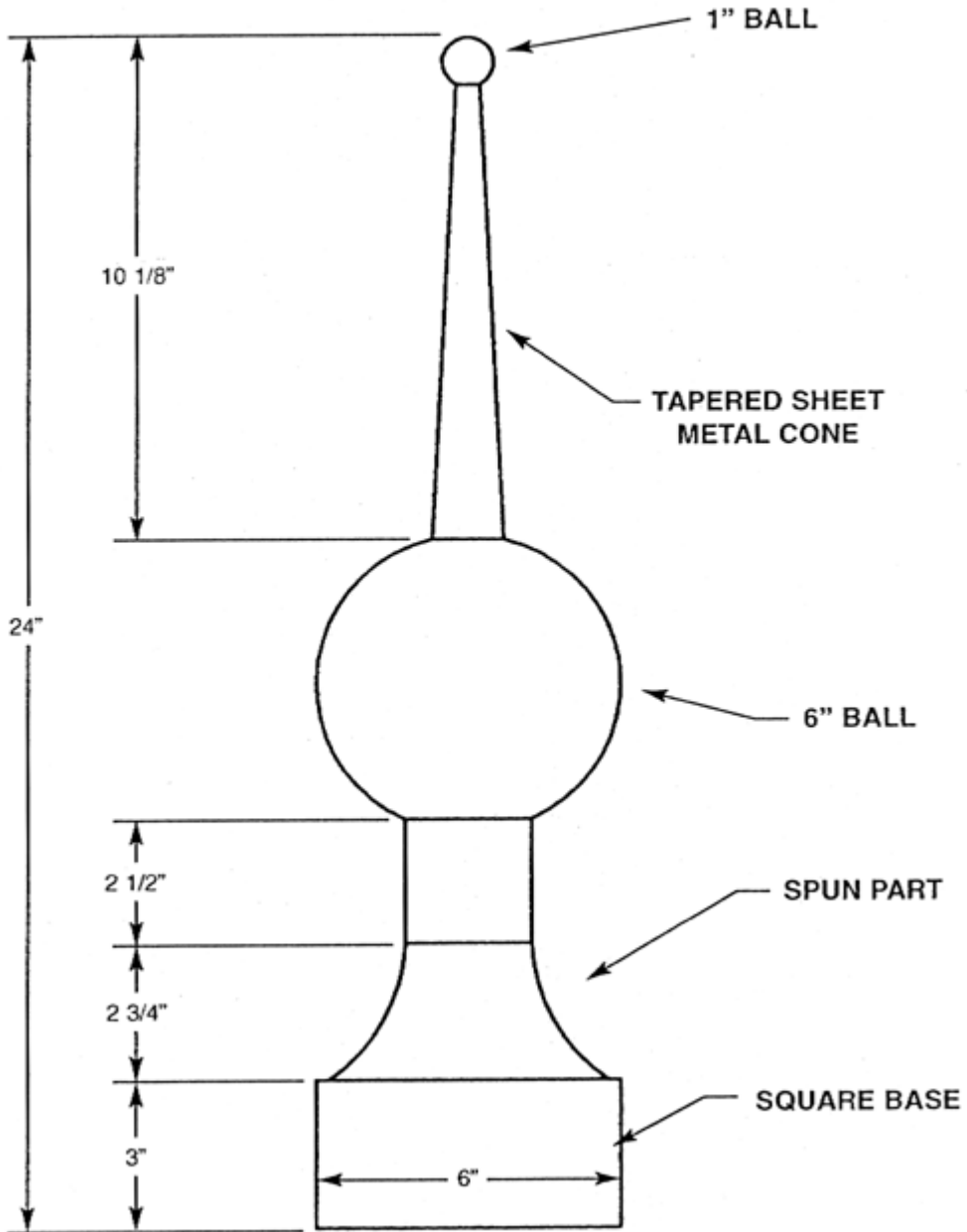


SPIRE

THE CAPE.COD





AVAILABLE MATERIALS:

COPPER
 LEAD COATED COPPER
 MILL FINISHED ALUMINUM
 PREFINISHED ALUMINUM

WEIGHT:

7 lbs.

INSTALLATION:

SEAL THE MOUNTING BRACKET (PROVIDED) TO THE ROOF SURFACE FOR A WATERTIGHT INSTALLATION. SET SPIRE BASE OVER MOUNTING BRACKET AND ATTACH USING FASTENERS PROVIDED. SPECIFY ROOF SLOPE FOR BRACKETS.

