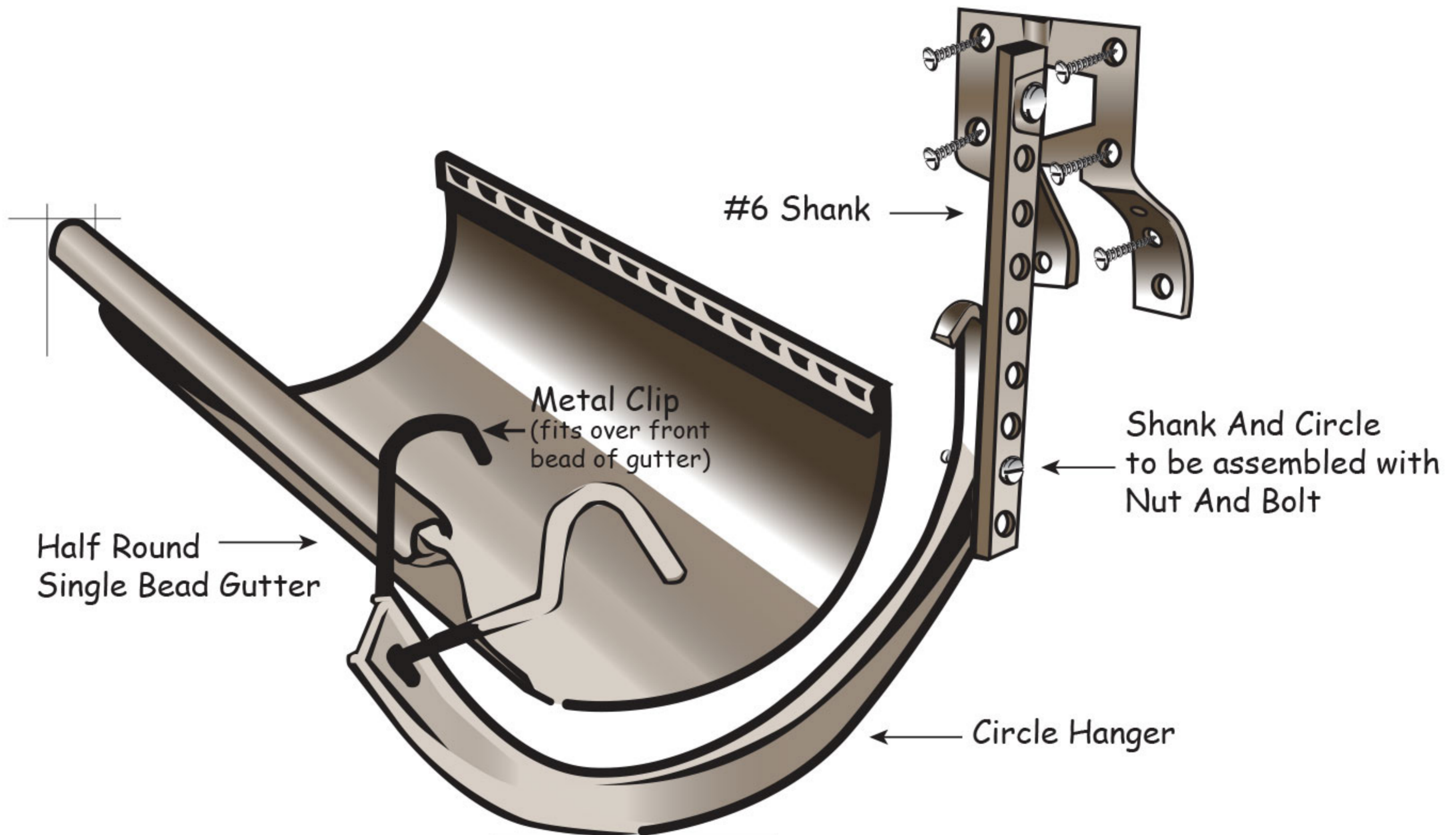
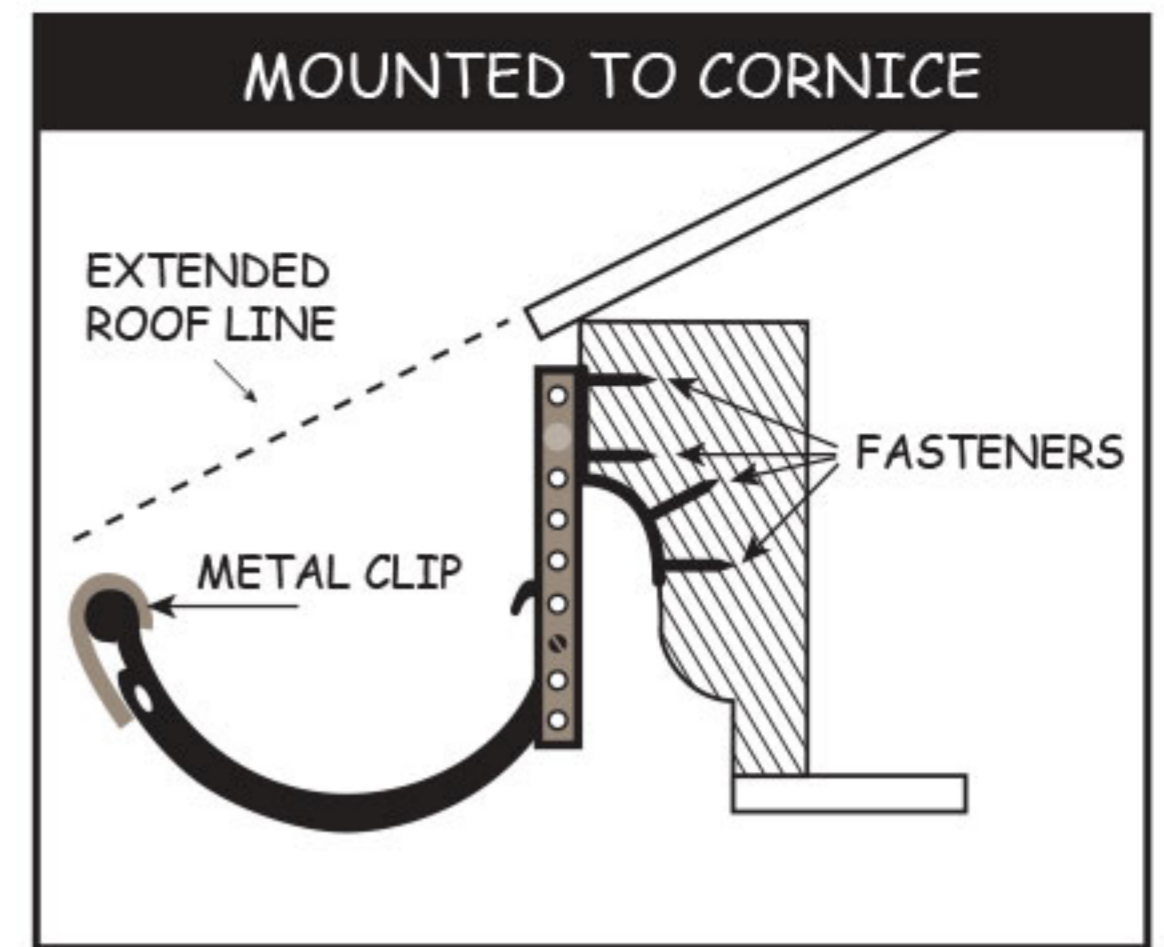




guttersupply.com

#6 Shank
Cornice Mount



Only one hole on shank and circle will line up for nut and bolt. The flange on the circle hanger will act as a guide to stabilize the two parts together. Position nuts and bolts in lower holes of shanks to provide proper pitch in gutter.