

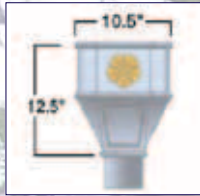


RAINTRADE
CORPORATION

Conductor Heads



Conductor Heads



The Abbey
 Height: 12 1/2"
 Width: 10 1/2"
 Depth: 7 1/8"
 Inset: 1/4"



The Baron
 Height: 20"
 Width: 17"
 Depth: 10"
 Inset: 1/4"



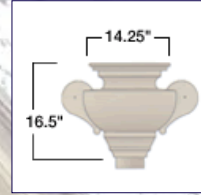
The Canterbury
 Height: 13"
 Width: 15"
 Depth: 9 3/4"



The Carlisle
 Height: 11"
 Width: 11"
 Depth: 8"



The Catalina
 Height: 11"
 Width: 11"
 Depth: 7"



The Champion
 Height: 16 1/2"
 Width: 14 1/4"
 Depth: 10"



The Chancellor
 Height: 19 1/2"
 Width: 17 1/2"
 Depth: 7 3/4"
 Insets: 1/4"



The Chesterfield
 Height: 16 3/4"
 Width: 14"
 Depth: 9"
 Inset: 1/4"



The Churchill
 Height: 20"
 Width: 17"
 Depth: 9"
 Inset: 1/4"



The Coventry
 Height: 17"
 Width: 13 5/8"
 Depth: 8 3/4"
 Inset: 1/4"



The Essex
 Height: 10"
 Width: 13"
 Depth: 8 1/2"



The Federal
 Height: 8"
 Width: 12 7/8"
 Depth: 8 1/8"



The Heath
 Height: 9 5/8"
 Width: 15"
 Depth: 10"



The Industrial
 Height: 12"
 Width: 12 1/2"
 Depth: 7 1/2"



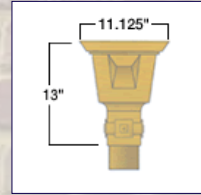
The Manchester
 Height: 7 1/8"
 Width: 24"
 Depth: 19 1/2"



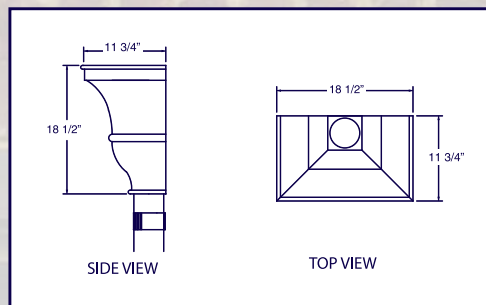
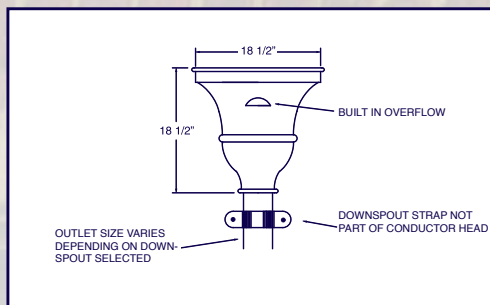
The Medieval
 Height: 15 1/4"
 Width: 15"
 Depth: 8 3/4"



The Meridian
 Height: 7 3/4"
 Width: 12"
 Depth: 9 1/2"



The Nottingham
 Height: 13"
 Width: 11 1/8"
 Depth: 7 3/4"



Additional information and detailed CAD drawings of all our conductor heads are featured on our website @ guttersupply.com.

The Parisian

Height: 18"
Width: 15 1/4"
Depth: 9"



The Regent

Height: 11 1/2"
Width: 13 1/2"
Depth: 9 3/4"



The Royal

Height: 15 1/2"
Width: 15"
Depth: 9 5/8"



The South Hampton

Height: 21 3/4"
Width: 28"
Depth: 15 1/2"



The Standard

Height: 9 3/4"
Width: 12 3/4"
Depth: 8"



The St. Anthony

Height: 14 1/2"
Width: 15 1/2"
Depth: 11 1/4"



The Stonehenge

Height: 10"
Width: 9 1/4"
Depth: 6 5/8"



The Stratford

Height: 18 1/2"
Width: 18 1/2"
Depth: 11 3/4"



The Warwick

Height: 10"
Width: 10"
Depth: 7"



The Wilshire

Height: 8"
Width: 11"
Depth: 7"



The Windsor

Height: 13"
Width: 15"
Depth: 9 1/2"

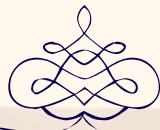


The Yorkshire

Height: 10 3/4"
Width: 15"
Depth: 9 3/4"



Conductor Heads add the finishing touch to a well installed gutter system. Architectural appeal is the most common use of Conductor Heads, however they also function as a basin for water overflow and ice build up.



Conductor Heads

Contact us about customizing your Conductor Heads:

Variety of Metals

Pre-Finished Colors

Emblems, stampings, and initials

Mesh screen or solid covering available

Functional and non-functional

Custom sizes and dimensions

Various outlet sizes and shapes

RainTrade offers a unique variety of copper accents:



Rain Chains



**Ornamental
Products**



Weathervanes



Finials



19 Skokie Valley Road
Lake Bluff, IL 60044

1-888-909-RAIN toll free

847-283-0006 local

847-283-0007 fax

www.GutterSupply.com

