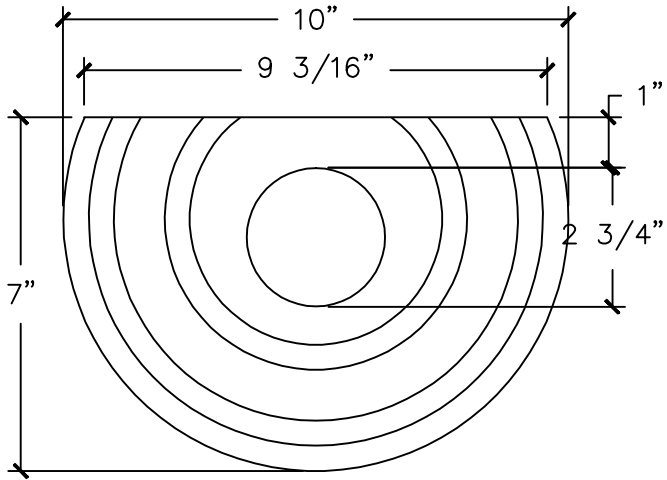
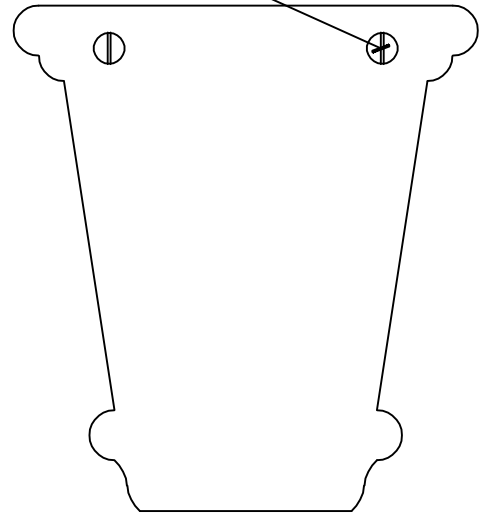


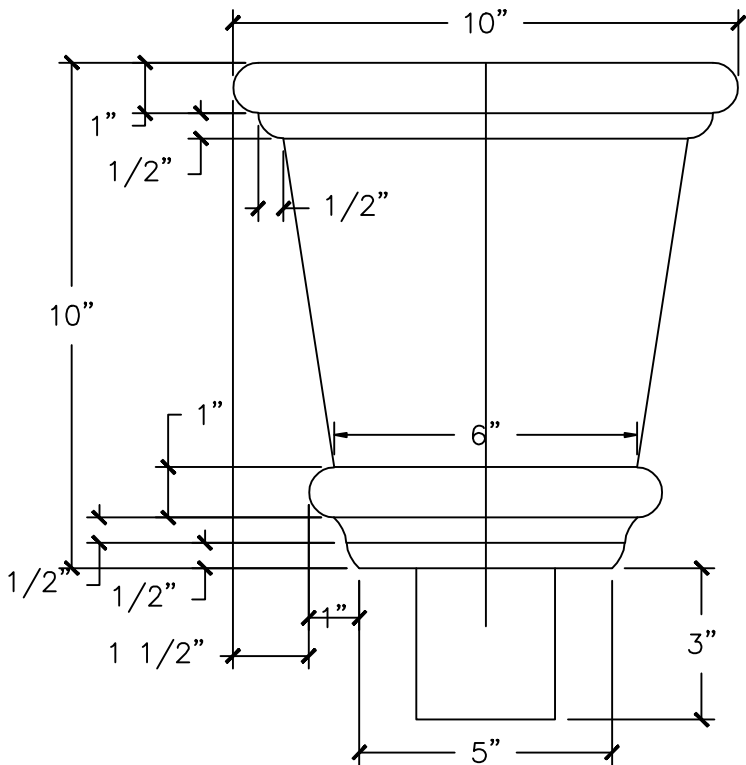
FASTNERS BY OTHERS



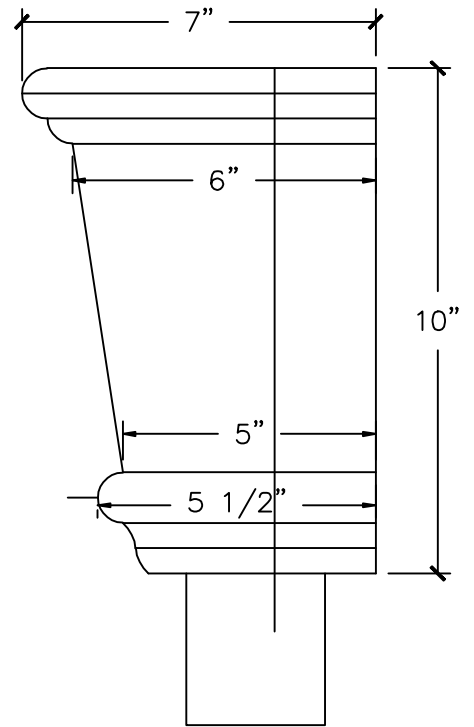
plan view
SCALE: 3" = 1'-0"



section 1/1
SCALE: 3" = 1'-0"



front elevation
SCALE: 3" = 1'-0"



side elevation
SCALE: 3" = 1'-0"

STANDARD WARWICK