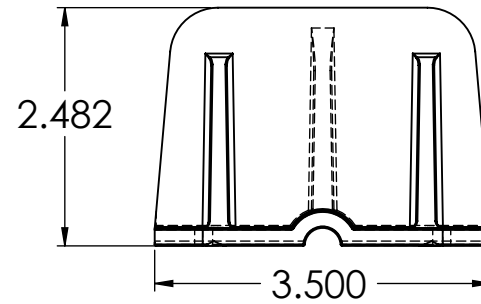
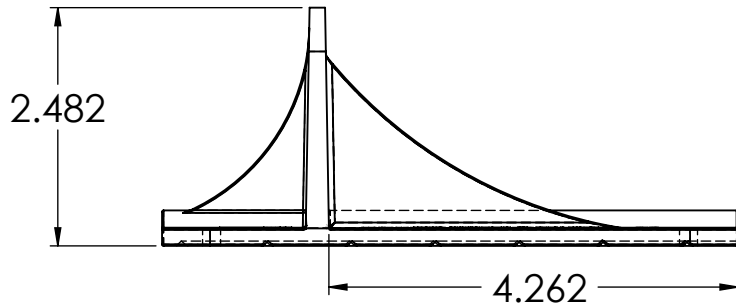
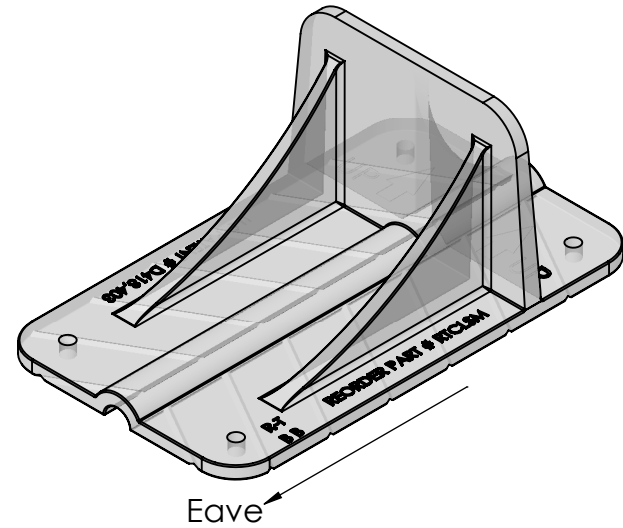
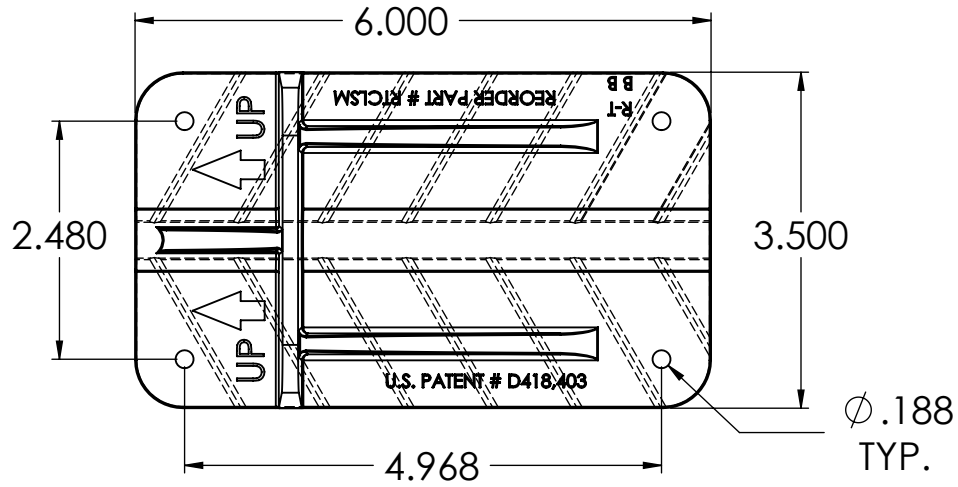


Do not scale drawings. Subject to change without notice



Real Tool Clear Plastic
Surface Mount Snow Guard
for Metal Roofing
RTCLSM

Material: Refer to Spec Sheet

SCALE
1:2

DWG. NO.

SHEET 1 OF 1